

Musical Instruments

H	O	R	D	E	V	I	O	L	I
C	F	L	U	T	H	A	R	P	N
I	C	A	X	T	R	O	M	R	U
S	L	S	O	U	I	T	B	D	M
P	A	T	P	G	T	R	O	N	E
R	R	E	H	R	A	U	O	B	O
A	I	N	O	N	E	M	P	C	E
H	U	B	A	T	E	P	I	E	O
A	T	N	O	I	O	N	A	L	L
C	C	O	R	D	N	A	G	R	O

Find all the words from the word list (ignore spaces and dashes):

- | | |
|-------------------|-----------|
| ACCORDION | OBOE |
| CELLO | ORGAN |
| CLARINET | PIANO |
| DRUM | SAXOPHONE |
| FLUTE | TROMBONE |
| GUITAR | TRUMPET |
| HARP | TUBA |
| HARPSICHORD | VIOLIN |



Zig Zag Puzzle

What instruments play in the orchestra?

- [] ACCORDION
- [] CELLO
- [] CLARINET
- [] DRUM
- [] FLUTE
- [] GUITAR
- [] HARP
- [] HARPSICHORD
- [] OBOE
- [] ORGAN
- [] PIANO
- [] SAXOPHONE
- [] TROMBONE
- [] TRUMPET
- [] TUBA
- [] VIOLIN

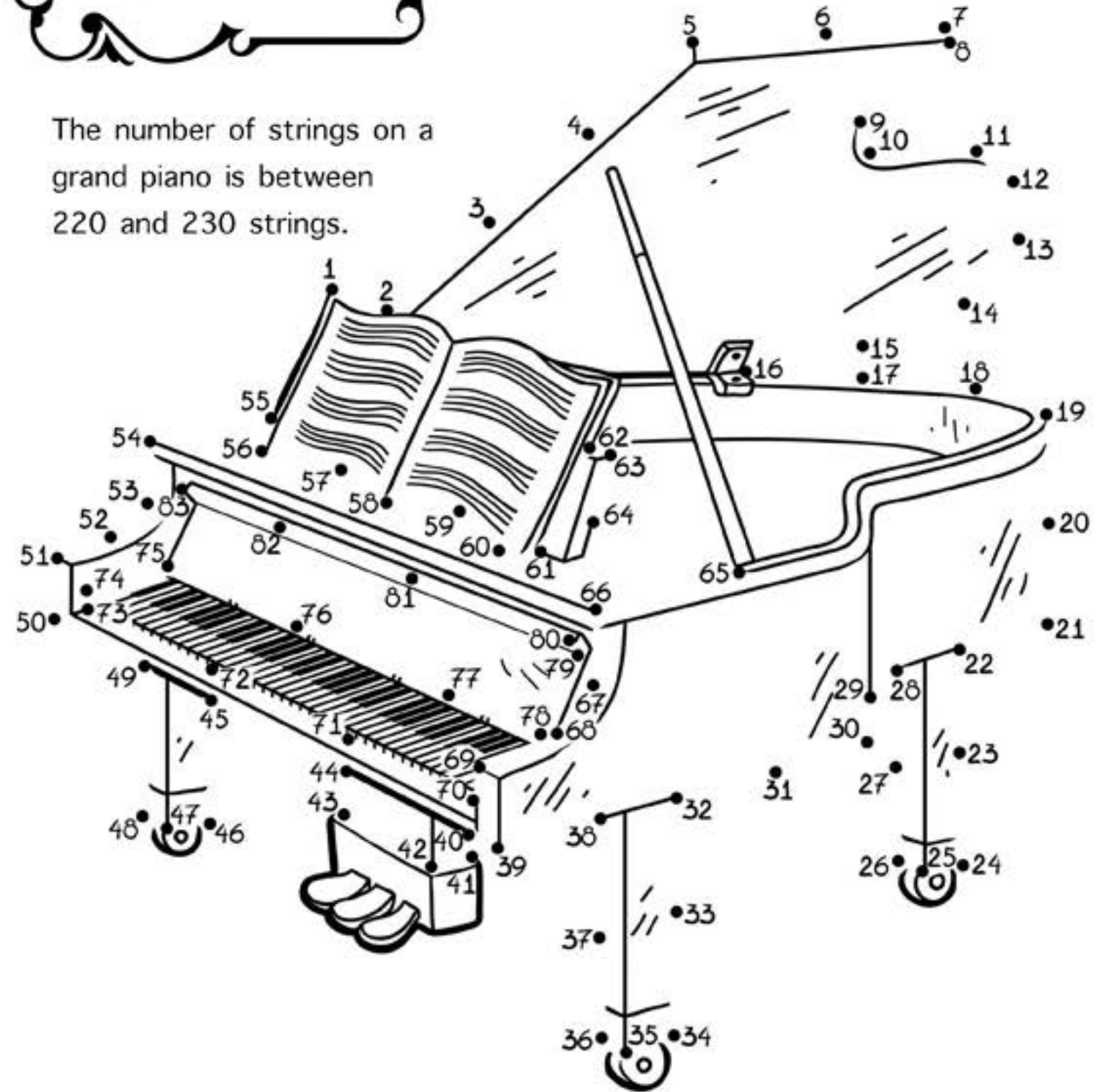
[] _____

[] _____

[] _____

Did you know?

The number of strings on a grand piano is between 220 and 230 strings.



The piano is considered to be a percussion instrument because its strings are struck "percussively" by hammers.

PERCUSSION



Striking one solid object against another is called "percussion." The variety of different instruments is so great, we cannot name all the percussion.



Mallet instruments include the xylophone, bells, marimba and timpani.



Cymbals are the biggest noisemakers of the orchestra.

The bass drum can produce a lot of different sounds from roaring thunder to soft whispers.



The size and thickness of the triangle beater can change the sound it makes.



Percussion instruments are placed along the back of the orchestra.

What's your favorite?

- Bass drum [] Xylophone [] Cymbals [] Triangle [] Timpani
 Snare drum [] Cowbell [] Chimes [] Tambourine [] Wood block
 Bongo drum [] Marimba [] Gong [] Celesta [] Other _____

